

# DS0026

## Dual High-Speed MOS Driver

### General Description

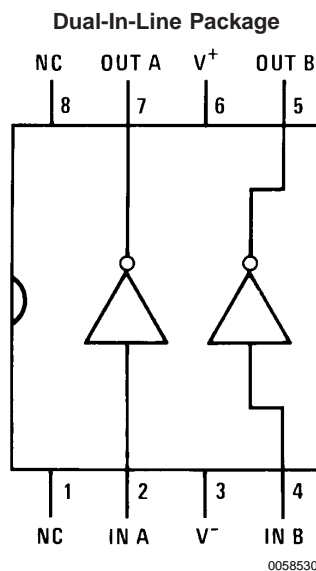
DS0026 is a low cost monolithic high speed two phase MOS clock driver and interface circuit. Unique circuit design provides both very high speed operation and the ability to drive large capacitive loads. The device accepts standard TTL outputs and converts them to MOS logic levels. The device may be driven from standard 54/74 series and 54S/74S series gates and flip-flops or from drivers such as the DS8830 or DM7440. The DS0026 is intended for applications in which the output pulse width is logically controlled; i.e., the output pulse width is equal to the input pulse width.

The DS0026 is designed to fulfill a wide variety of MOS interface requirements. Information on the correct usage of the DS0026 in these as well as other systems is included in the application note AN-76.

### Features

- Fast rise and fall times—20 ns 1000 pF load
- High output swing—20V
- High output current drive— $\pm 1.5$  amps
- TTL compatible inputs
- High rep rate—5 to 10 MHz depending on power dissipation
- Low power consumption in MOS "0" state—2 mW
- Drives to 0.4V of GND for RAM address drive

### Connection Diagram (Top View)



**Absolute Maximum Ratings** (Note 1)

If Military/Aerospace specified devices are required, please contact the National Semiconductor Sales Office/Distributors for availability and specifications.

(V <sup>+</sup> ) – (V <sup>-</sup> ) Differential Voltage	22V
Input Current	100 mA
Input Voltage (V <sub>IN</sub> ) – (V <sup>-</sup> )	5.5V
Peak Output Current	1.5A
Storage Temperature Range	-65°C to +150°C
Lead Temperature (Soldering, 10 sec.)	300°C

**Operating Ratings**

(V <sup>+</sup> ) – (V <sup>-</sup> ) Differential Voltage	10V to 20V
Maximum Power Dissipation at T <sub>A</sub> = 25°C (Note 7)	1168mW
N08E θ <sub>JA</sub>	107°C/W
N08E θ <sub>JC</sub>	37°C/W
M08A θ <sub>JA</sub>	180°C/W
MUA08A θ <sub>JA</sub>	220°C/W
Operating Temperature Range, T <sub>A</sub>	0°C to +70°C

**Ordering Information**

Order Number	Package Type	NS Package Number
DS0026CN	M-DIP	N08E
DS0026CMA	SOIC	M08A
DS0026CMM	MSOP	MUA08A

**Electrical Characteristics** (Notes 2, 3, 4)

Symbol	Parameter	Conditions	Min	Typ	Max	Units
V <sub>IH</sub>	Logic "1" Input Voltage	V <sup>-</sup> = 0V	2	1.5		V
I <sub>IH</sub>	Logic "1" Input Current	V <sub>IN</sub> – V <sup>-</sup> = 2.4V		10	15	mA
V <sub>IL</sub>	Logic "0" Input Voltage	V <sup>-</sup> = 0V		0.6	0.4	V
I <sub>IL</sub>	Logic "0" Input Current	V <sub>IN</sub> – V <sup>-</sup> = 0V		-3	-10	μA
V <sub>OL</sub>	Logic "1" Output Voltage	V <sub>IN</sub> – V <sup>-</sup> = 2.4V, I <sub>OL</sub> = 1 mA		V <sup>-</sup> +0.7	V <sup>-</sup> +1.0	V
V <sub>OH</sub>	Logic "0" Output Voltage	V <sub>IN</sub> – V <sup>-</sup> = 0.4V, V <sub>SS</sub> ≥ V <sup>+</sup> + 1.0V I <sub>OH</sub> = -1 mA	V <sup>+</sup> – 1.0	V <sup>+</sup> -0.8		V
I <sub>CC(ON)</sub>	"ON" Supply Current (one side on)	V <sup>+</sup> – V <sup>-</sup> = 20V, V <sub>IN</sub> – V <sup>-</sup> = 2.4V		30	40	mA
I <sub>CC(OFF)</sub>	"OFF" Supply Current	V <sup>+</sup> – V <sup>-</sup> = 20V, V <sub>IN</sub> – V <sup>-</sup> = 0V		10	100	μA

**Switching Characteristics**(T<sub>A</sub> = 25°C) (Notes 5, 6)

Symbol	Parameter	Conditions	Min	Typ	Max	Units
t <sub>ON</sub>	Turn-On Delay	(Figure 1)	5	7.5	12	ns
		(Figure 2)		11		ns
t <sub>OFF</sub>	Turn-Off Delay	(Figure 1)		12	15	ns
		(Figure 2)		13		ns
t <sub>r</sub>	Rise Time	(Figure 1), (Note 5)	C <sub>L</sub> = 500 pF	15	18	ns
			C <sub>L</sub> = 1000 pF	20	35	ns
		(Figure 2), (Note 5)	C <sub>L</sub> = 500 pF	30	40	ns
			C <sub>L</sub> = 1000 pF	36	50	ns
t <sub>f</sub>	Fall Time	(Figure 1), (Note 5)	C <sub>L</sub> = 500 pF	12	16	ns
			C <sub>L</sub> = 1000 pF	17	25	ns
		(Figure 2), (Note 5)	C <sub>L</sub> = 500 pF	28	35	ns
			C <sub>L</sub> = 1000 pF	31	40	ns

**Note 1:** "Absolute Maximum Ratings" are those values beyond which the safety of the device cannot be guaranteed. Except for "Operating Temperature Range" they are not meant to imply that the devices should be operated at these limits. The table of "Electrical Characteristics" provides conditions for actual device operation.

**Note 2:** These specifications apply for V<sup>+</sup> – V<sup>-</sup> = 10V to 20V, C<sub>L</sub> = 1000 pF, over the temperature range of 0°C to +70°C for the DS0026CN.

**Note 3:** All currents into device pins shown as positive, out of device pins as negative, all voltages referenced to ground unless otherwise noted. All values shown as max or min on absolute value basis.

# Switching Characteristics (Continued)

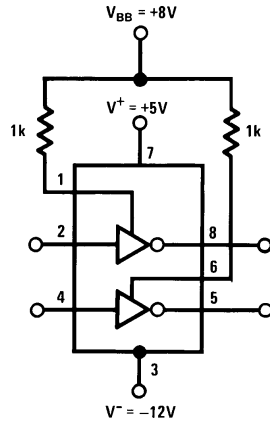
**Note 4:** All typical values for  $T_A = 25^\circ\text{C}$ .

**Note 5:** Rise and fall time are given for MOS logic levels; i.e., rise time is transition from logic "0" to logic "1" which is voltage fall.

**Note 6:** The high current transient (as high as 1.5A) through the resistance of the internal interconnecting  $V^-$  lead during the output transition from the high state to the low state can appear as negative feedback to the input. If the external interconnecting lead from the driving circuit to  $V^-$  is electrically long, or has significant dc resistance, it can subtract from the switching response.

**Note 7:** Derate N08E package 9.3 mW/ $^\circ\text{C}$  for  $T_A$  above  $25^\circ\text{C}$ .

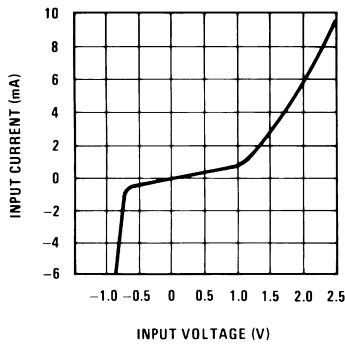
## Typical $V_{BB}$ Connection



00585308

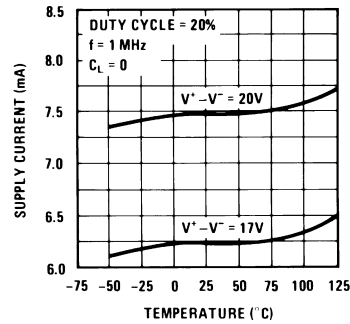
## Typical Performance Characteristics

Input Current vs Input Voltage



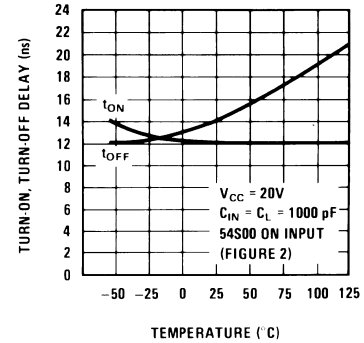
00585322

Supply Current vs Temperature



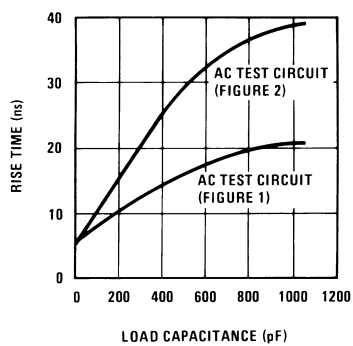
00585323

Turn-On and Turn-Off Delay vs Temperature



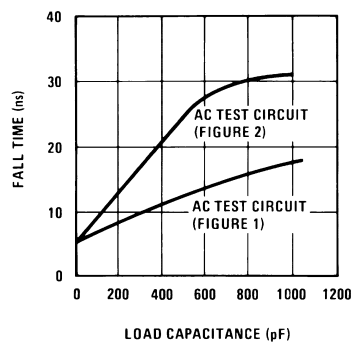
00585324

Rise Time vs Load Capacitance



00585325

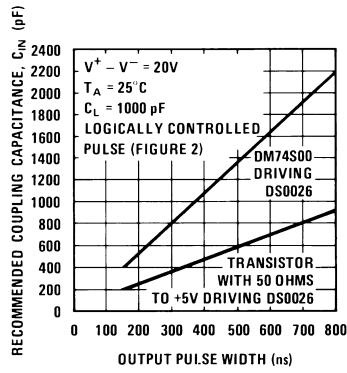
Fall Time vs Load Capacitance



00585326

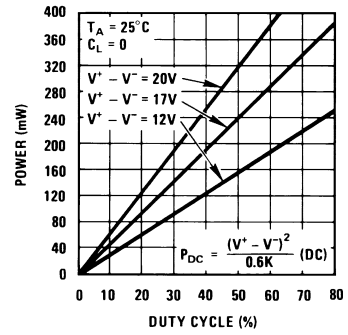
# Typical Performance Characteristics (Continued)

Recommended Input Coding Capacitance



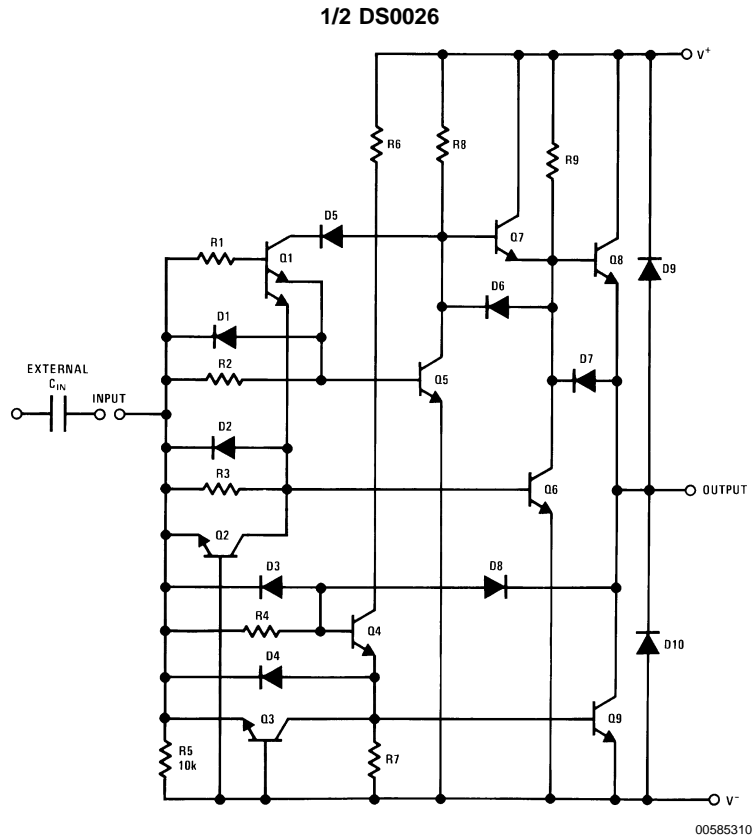
00585327

DC Power ( $P_{DC}$ ) vs Duty Cycle



00585328

## Schematic Diagram



## AC Test Circuits and Switching Time Waveforms

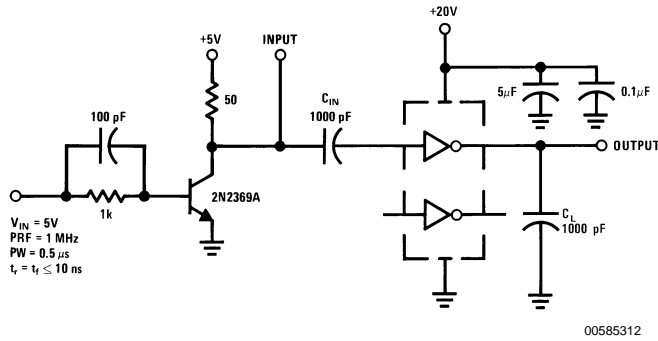


FIGURE 1.

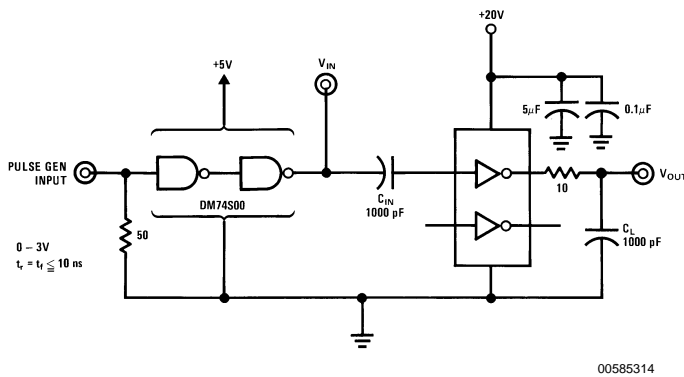
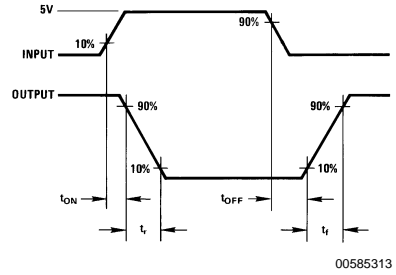
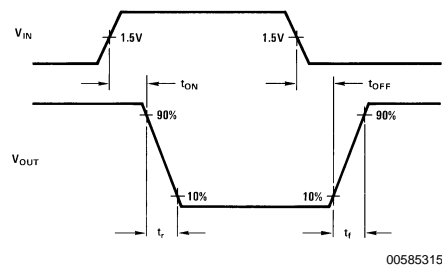
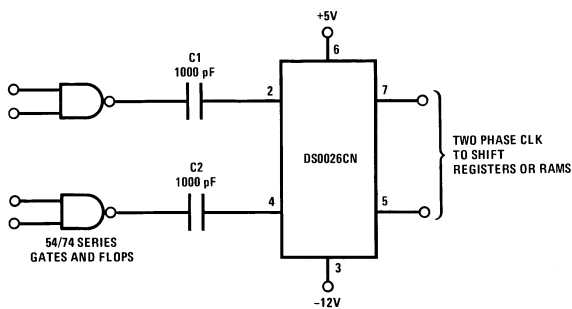


FIGURE 2.

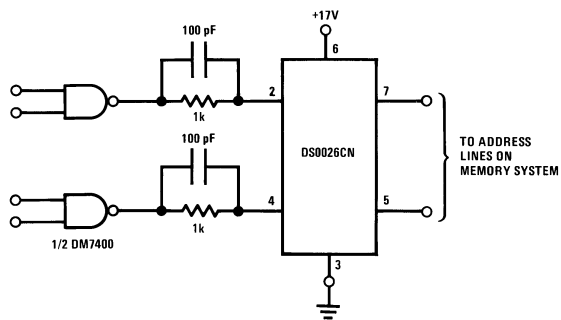


## Typical Applications

### AC Coupled MOS Clock Driver



### DC Coupled RAM Memory Address or Precharge Driver (Positive Supply Only)



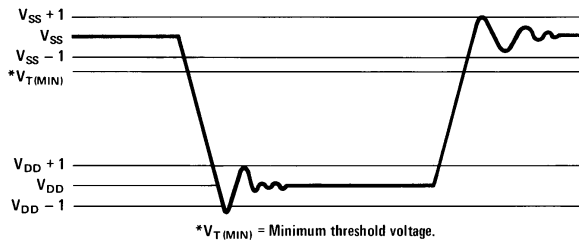
## Application Hints

### DRIVING THE MM5262 WITH THE DS0026 CLOCK DRIVER

The clock signals for the MM5262 have three requirements which have the potential of generating problems for the user. These requirements, high speed, large voltage swing and large capacitive loads, combine to provide ample opportunity for inductive ringing on clock lines, coupling clock signals to other clocks and/or inputs and outputs and generating noise on the power supplies. All of these problems have the potential of causing the memory system to malfunction. Recognizing the source and potential of these problems early in the design of a memory system is the most critical step. The object here is to point out the source of these problems and give a quantitative feel for their magnitude.

## Application Hints (Continued)

Line ringing comes from the fact that at a high enough frequency any line must be considered as a transmission line with distributed inductance and capacitance. To see how much ringing can be tolerated we must examine the clock voltage specification. *Figure 3* shows the clock specification, in diagram form, with idealized ringing sketched in. The ringing of the clock about the  $V_{SS}$  level is particularly critical. If the  $V_{SS} - 1 V_{OH}$  is not maintained, at *all* times, the information stored in the memory could be altered. Referring to *Figure 1*, if the threshold voltage of a transistor were  $-1.3V$ , the clock going to  $V_{SS} - 1$  would mean that all the devices, whose gates are tied to that clock, would be only 300 mV from turning on. The internal circuitry needs this noise margin and from the functional description of the RAM it is easy to see that turning a clock on at the wrong time can have disastrous results.



00585318

**FIGURE 3. Clock Waveform**

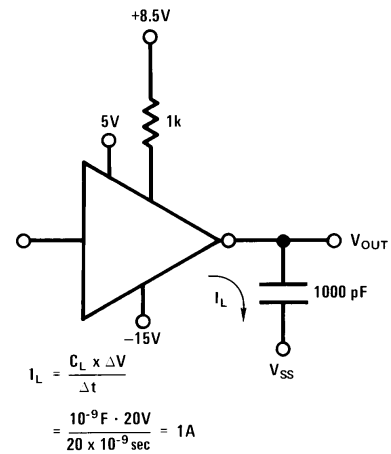
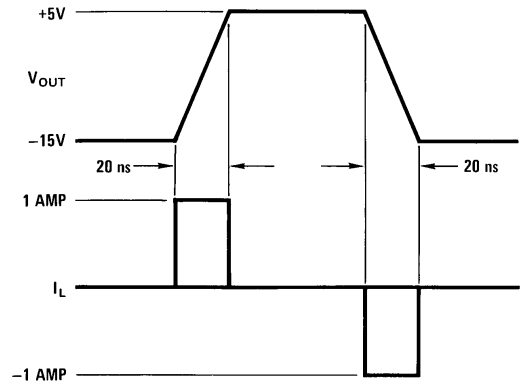
Controlling the clock ringing is particularly difficult because of the relative magnitude of the allowable ringing, compared to magnitude of the transition. In this case it is 1V out of 20V or only 5%. Ringing can be controlled by damping the clock driver and minimizing the line inductance.

Damping the clock driver by placing a resistance in series with its output is effective, but there is a limit since it also slows down the rise and fall time of the clock signal. Because the typical clock driver can be much faster than the worst case driver, the damping resistor serves the useful function of limiting the minimum rise and fall time. This is very important because the faster the rise and fall times, the worse the ringing problem becomes. The size of the damping resistor varies because it is dependent on the details of the actual application. It must be determined empirically. In practice a resistance of 10Ω to 20Ω is usually optimum.

Limiting the inductance of the clock lines can be accomplished by minimizing their length and by laying out the lines such that the return current is closely coupled to the clock lines. When minimizing the length of clock lines it is important to minimize the distance from the clock driver output to the furthest point being driven. Because of this, memory boards are usually designed with clock drivers in the center of the memory array, rather than on one side, reducing the maximum distance by a factor of 2.

Using multilayer printed circuit boards with clock lines sandwiched between the  $V_{DD}$  and  $V_{SS}$  power planes minimizes the inductance of the clock lines. It also serves the function of preventing the clocks from coupling noise into input and output lines. Unfortunately multilayer printed circuit boards

are more expensive than two sided boards. The user must make the decision as to the necessity of multilayer boards. Suffice it to say here, that reliable memory boards can be designed using two sided printed circuit boards.



00585319

**FIGURE 4. Clock Waveforms (Voltage and Current)**

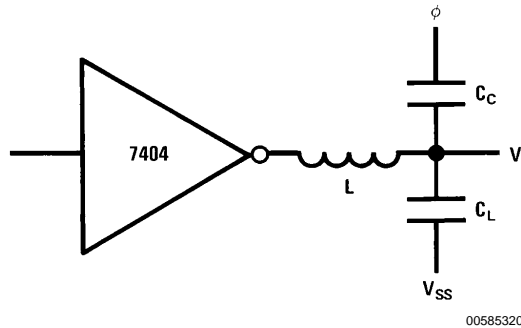
Because of the amount of current that the clock driver must supply to its capacitive load, the distribution of power to the clock driver must be considered. *Figure 4* gives the idealized voltage and current waveforms for a clock driver driving a 1000 pF capacitor with 20 ns rise and fall time.

As can be seen the current is significant. This current flows in the  $V_{DD}$  and  $V_{SS}$  power lines. Any significant inductance in the lines will produce large voltage transients on the power supplies. A bypass capacitor, as close as possible to the clock driver, is helpful in minimizing this problem. This bypass is most effective when connected between the  $V_{SS}$  and  $V_{DD}$  supplies. The size of the bypass capacitor depends on the amount of capacitance being driven. Using a low inductance capacitor, such as a ceramic or silver mica, is most effective. Another helpful technique is to run the  $V_{DD}$  and  $V_{SS}$  lines, to the clock driver, adjacent to each other. This tends to reduce the lines inductance and therefore the magnitude of the voltage transients.

While discussing the clock driver, it should be pointed out that the DS0026 is a relatively low input impedance device. It is possible to couple current noise into the input without seeing a significant voltage. Since the noise is difficult to detect with an oscilloscope it is often overlooked.

## Application Hints (Continued)

Lastly, the clock lines must be considered as noise generators. *Figure 5* shows a clock coupled through a parasitic coupling capacitor,  $C_C$ , to eight data input lines being driven by a 7404. A parasitic lumped line inductance,  $L$ , is also shown. Let us assume, for the sake of argument, that  $C_C$  is 1 pF and that the rise time of the clock is high enough to completely isolate the clock transient from the 7404 because of the inductance,  $L$ .



**FIGURE 5. Clock Coupling**

With a clock transition of 20V the magnitude of the voltage generated across  $C_L$  is:

$$V = 20V \times \frac{C_C}{C_L + C_C} = 20V \times \left( \frac{1}{56 + 1} \right) = 0.35V$$

This has been a hypothetical example to emphasize that with 20V low rise/fall time transitions, parasitic elements can not be neglected. In this example, 1 pF of parasitic capacitance could cause system malfunction, because a 7404 without a pull up resistor has typically only 0.3V of noise margin in the "1" state at 25°C. Of course it is stretching things to assume that the inductance,  $L$ , completely isolates the clock transient from the 7404. However, it does point out the need to minimize inductance in input/output as well as clock lines.

The output is current, so it is more meaningful to examine the current that is coupled through a 1 pF parasitic capacitance. The current would be:

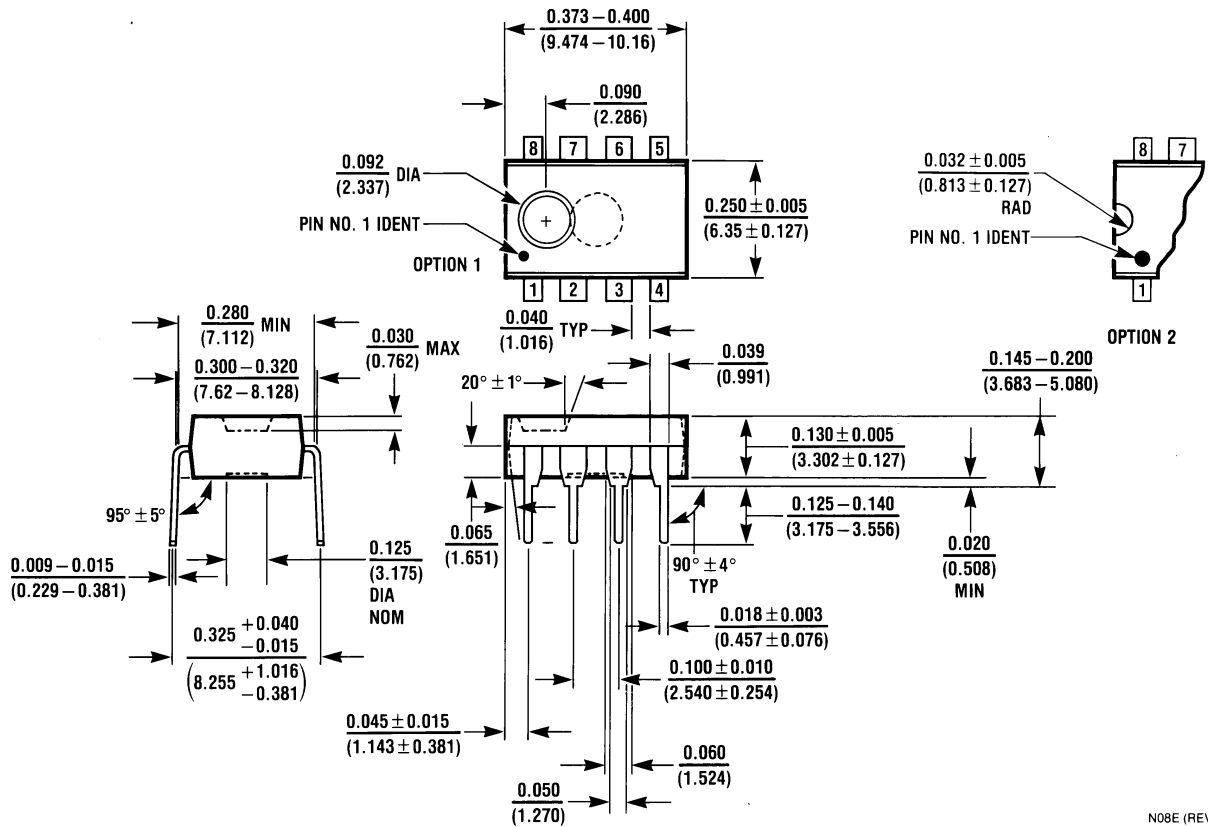
$$I = C_C \times \frac{\Delta V}{\Delta t} = \frac{1 \times 10^{-12} \times 20}{20 \times 10^{-9}} = 1 \text{ mA}$$

This exceeds the total output current swing so it is obviously significant.

Clock coupling to inputs and outputs can be minimized by using multilayer printed circuit boards, as mentioned previously, physically isolating clock lines and/or running clock lines at right angles to input/output lines. All of these techniques tend to minimize parasitic coupling capacitance from the clocks to the signals in question.

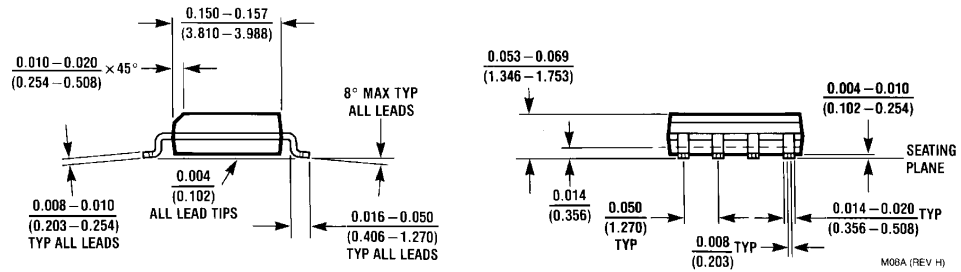
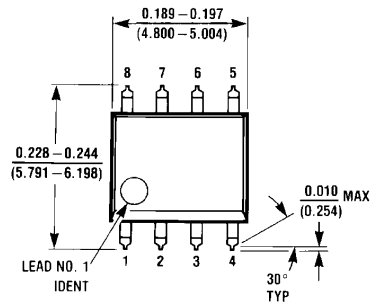
In considering clock coupling it is also important to have a detailed knowledge of the functional characteristics of the device being used. As an example, for the MM5262, coupling noise from the  $\phi 2$  clock to the address lines is of no particular consequence. On the other hand the address inputs will be sensitive to noise coupled from  $\phi 1$  clock.

**Physical Dimensions** inches (millimeters) unless otherwise noted



**Molded Dual-In-Line Package (N)**  
**Order Number DS0026CN**  
**NS Package Number N08E**

N08E (REV F)

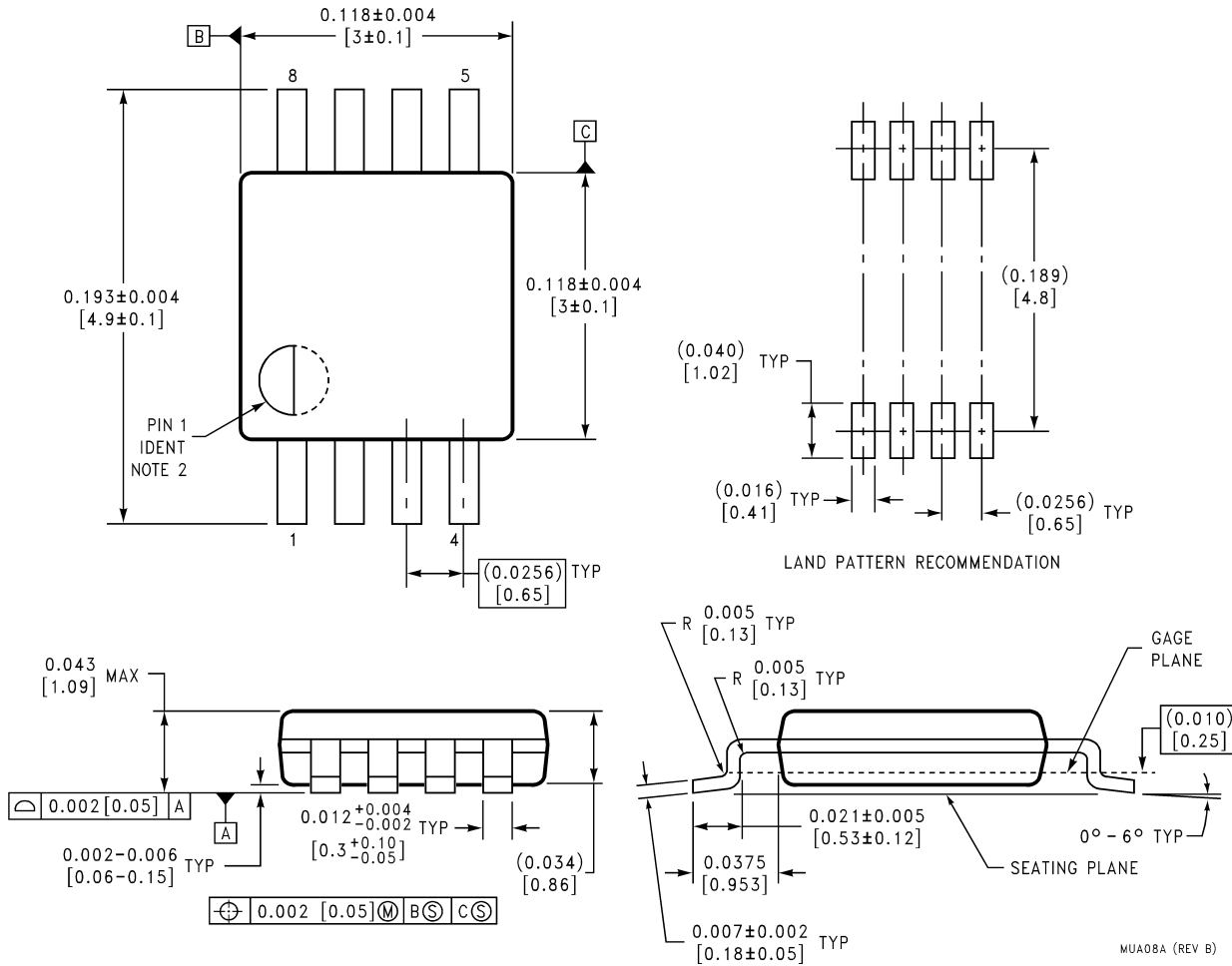


**8-Lead Small Outline Molded package (M)**  
**NS Package Number M08A**

M08A (REV H)



**Physical Dimensions** inches (millimeters) unless otherwise noted (Continued)



**8-Lead Mini SOIC Package (MM)  
NS Package Number MU08A**

**LIFE SUPPORT POLICY**

NATIONAL'S PRODUCTS ARE NOT AUTHORIZED FOR USE AS CRITICAL COMPONENTS IN LIFE SUPPORT DEVICES OR SYSTEMS WITHOUT THE EXPRESS WRITTEN APPROVAL OF THE PRESIDENT AND GENERAL COUNSEL OF NATIONAL SEMICONDUCTOR CORPORATION. As used herein:

1. Life support devices or systems are devices or systems which, (a) are intended for surgical implant into the body, or (b) support or sustain life, and whose failure to perform when properly used in accordance with instructions for use provided in the labeling, can be reasonably expected to result in a significant injury to the user.
2. A critical component is any component of a life support device or system whose failure to perform can be reasonably expected to cause the failure of the life support device or system, or to affect its safety or effectiveness.

**National Semiconductor Corporation**  
Americas  
Email: support@nsc.com

**National Semiconductor Europe**  
Fax: +49 (0) 180-530 85 86  
Email: europe.support@nsc.com  
Deutsch Tel: +49 (0) 69 9508 6208  
English Tel: +44 (0) 870 24 0 2171  
Français Tel: +33 (0) 1 41 91 8790

**National Semiconductor Asia Pacific Customer Response Group**  
Tel: 65-2544466  
Fax: 65-2504466  
Email: ap.support@nsc.com

**National Semiconductor Japan Ltd.**  
Tel: 81-3-5639-7560  
Fax: 81-3-5639-7507

www.national.com